

GRADALL

544D

MATERIAL HANDLER



544D

SPECIFICATIONS

Performance

Rated Capacity

At 24 in. (610 mm) load center,
10,000 lb. (4,536 kg)

Maximum Lift Height

55 ft. (16.8 m)

Frame Leveling

8 degrees

Lift Speed (boom retracted)

Empty, 110 f.p.m. (34 m/min);
Loaded 100 f.p.m. (30.5 m/min)

Boom Speed

Extend 130 f.p.m. (40 m/min)
Retract 130 f.p.m. (40 m/min)

Travel Speeds Forward and Reverse

4WD-2WD 6.5-19 mph (10.5-30.6 km/hr)

Operating Weight

With 48" (1.2 m) carriage and forks,
33,570 lb. (15,224 kg)

Drawbar Pull

Loaded 18,400 lb. (8345 kg)
@ 1 mph (1.6 km/hr)

Drive Line Specifications

Engine

Make and Model . . . Cummins B3.9C-130
Turbocharged, aftercooled.

Fuel No. 2 Diesel
Cycles 4
No. of Cylinders 4
Displacement 239 cu. in. (3.9 L)
Rated Speed 2500 rpm
Max. Gross BHP 130 hp (97 Kw)
Fuel Tank 38 gal. (141 L)

Engine Filters

Two-stage dry air cleaner – centrifugal
pre-cleaner with continuous dust ejector
PLUS cleanable and replaceable dry filter
element. Visual service indicator.

Replaceable element-type fuel filter/water
separator. Full-flow replaceable-element
engine oil filter.

Electrical System

Voltage – 12V
Alternator – 65 amp
Battery – 1050 Cold Cranking AMP at 0°F

Hydrostatic Drive

6300 PSI (43,439 kpa) closed loop with
piston pump and motors.

8 micron suction filter for charge pump.

All hydraulic connections ORS and Code
62 O-ring flanges.

Integral reservoir with implement
hydraulics.

Self-contained, swashplate design,
variable displacement, over center, piston
pump. Neutral start switch. (Park brake
must also be engaged to start.)

2WD and 4WD inching.

2WD – 4WD switch on dash.

Forward, neutral, reverse lever on left
of steering column.

Single foot pedal control provides both
braking and inching for lifting while
maneuvering vehicle.

Electro/hydraulic traction lock valve for
superior tractive effort.

Axles

Planetary hubs with piston motors on
rear axle.

Piston motor-driven planetary front axle
with high-bias, limited slip differential.

Rear axle stabilization.

Brakes

Service - Hydraulic wet disc brake on
each front wheel.

Hydraulic dynamic braking on front axle
and both rear wheels.

Parking Brakes

Wet disc spring-applied electro/hydraulic
release, fail safe on both front wheels.

Light on dash indicates when brake is on.

Tires

14:00x24 - 12PR, G2 type, 623 lb.
(283 kg) CaCl filled.
Optional: 14:00 R24 radial tires, 623 lb.
(283 kg) CaCl filled.

Cab

Certified FOPS/ROPS structure with horn,
back-up alarm and right side rear view
mirror.

Steering

Hydraulic power steering with manual
backup. Rear wheel steering, 90° pivot
around either front tire. Outside turning
radius is less than chassis length.

Instruments

Volt meter, hour meter, engine oil pressure
gauge, fuel gauge, water temperature gauge.

All gauges protected by clear acrylic
cover.

Controls

Grouped for operator comfort
and convenience.

Boom lift and crowd on single joystick.
Right-hand tilt and sway levers.

Foot throttle.

Floor mounted traction lock switch.

Hydraulic System-Implement

Single-section gear pump.

40 gal. (151.4 L) system capacity.
8 micron filter with visual service indicator
and suction strainer.

Lift, crowd, tilt and sway cylinders have safety
checks to prevent dropping of load in the
event of hose or other hydraulic failure.

Accessories & Options

Cab Enclosure

Lockable, split door. Windshield wiper.
Heater & defroster fan.

Light Group

Consists of 2 cab-mounted headlights, 1
backup/tail/stoplight and rotating beacon.

Auxiliary Hydraulic Circuit

Required for all attachments equipped with
cylinders or other hydraulic components.
Consists of valves, controls, hydraulic lines.

Radial Tires

Winch

Left Hand Tilt/Sway Control

Tilt on Joystick

Attachments

Carriage

48" (1.2 m), 66" (1.7 m) & 72" (1.8 m)

Slope Pile Carriage

48" (1.2 m) and 66" (1.7 m)

100° Swing Carriage

72" (1.8 m) Carriage

180° Swing Carriage

72" (1.8 m)

100° Drywall Swing Carriage

72" (1.8 m)

Pallet Forks

2" x 6" x 48" (50.8 mm x 152.4 mm x 1.2 m)

Cubing Forks

2" x 2" x 48" (50.8 mm x 50.8 mm x 1.2 m)

Vertical Mast

6' (1.8 m) with 48" (1.2 m)

or 66" (1.7 m) Carriage

100° Swing Mast

6' (1.8 m) with 48" (1.2 m)

or 60" (1.5 m) Forks

Truss Boom With or Without Winch

10' (3.0 m)

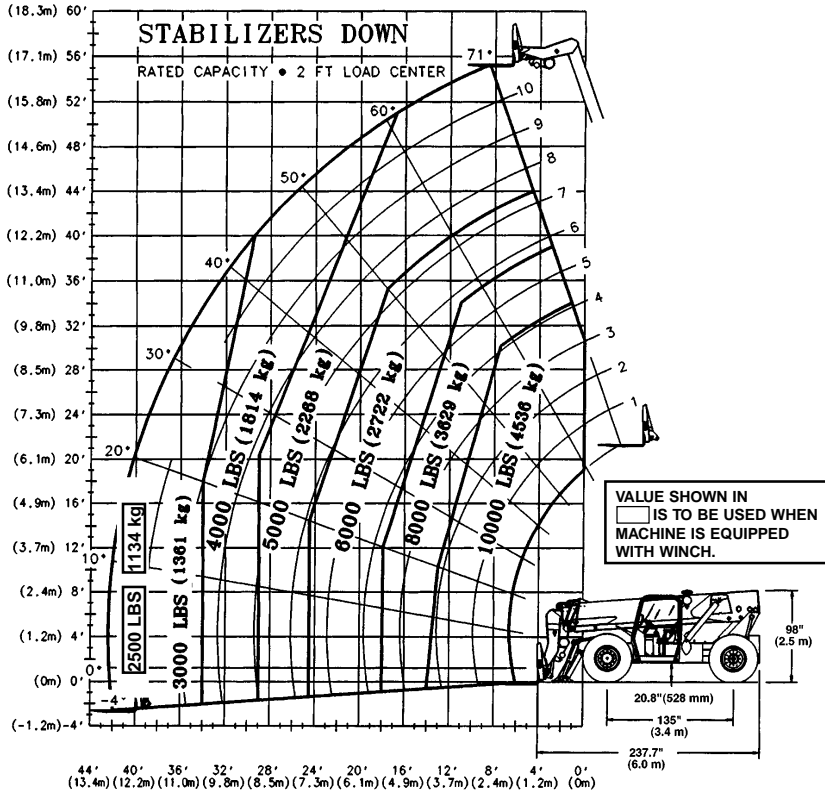
Bucket

0.75 CY (0.57 m³) or 1.25 CY (0.95 m³)

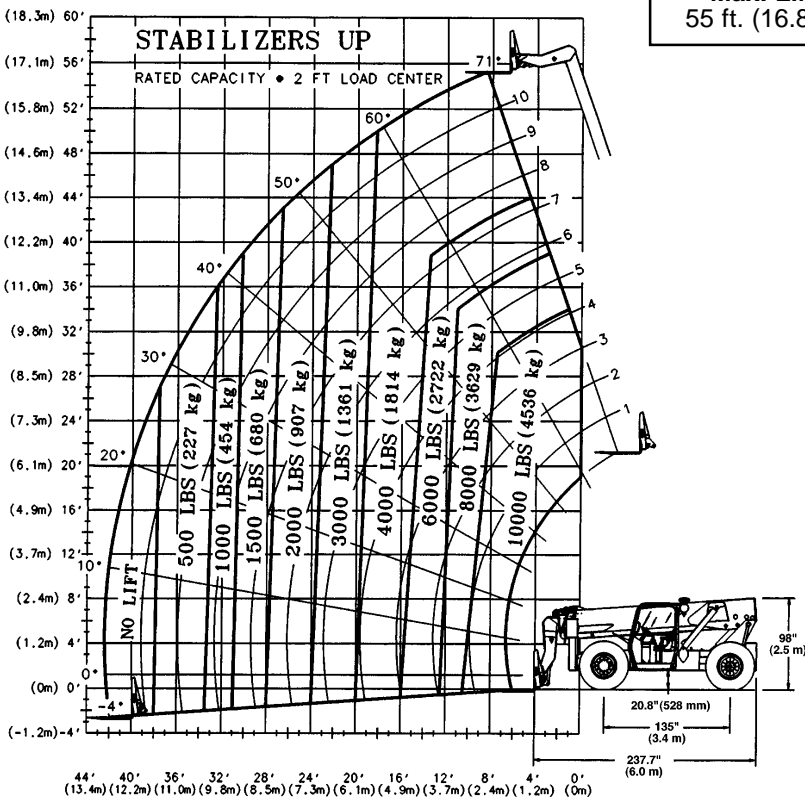
Work Platform

Instant Hook

544D (4-Section Boom) Stabilizers Down



544D (4-Section Boom) Stabilizers Up



Max. Reach:
42 ft. (12.8 m)
Max. Lift:
55 ft. (16.8 m)

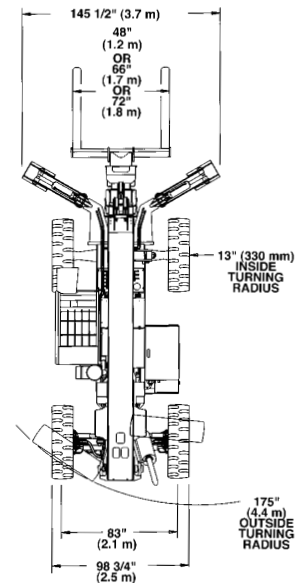
IMPORTANT

Rated lift capacities shown are with machine equipped with carriage and pallet forks and on a firm, level surface with undamaged, properly inflated tires. Machine specifications and stability are based on rated lift capacities at specific boom angles and boom lengths. If specifications are critical, the proposed application should be discussed with your dealer.

DO NOT exceed rated lift capacity loads, as unstable and dangerous machine conditions will result.

DO NOT tip the machine forward to determine the allowable load.

Use only Gradall approved attachments with the proper material handler model/attachment load capacity chart displayed in the operator's cab. OSHA requires all rough terrain forklift operators to be trained according to OSHA 29 CFR 1910.178 (I).



This machine is designed to meet specifications of ASME B56.6b-1998. It is Gradall Policy to continually improve its products. Therefore, designs, materials and specifications are subject to change without notice and without incurring any liability on units already sold. Units shown may have optional equipment. See applicable specifications and price lists for optional equipment.

GRADALL[®]
A JLG COMPANY

The Gradall Company
 600 East Chestnut Street, Orville, Ohio 44667
 Phone (330) 339-2211 FAX (330) 684-1029
www.gradall.com